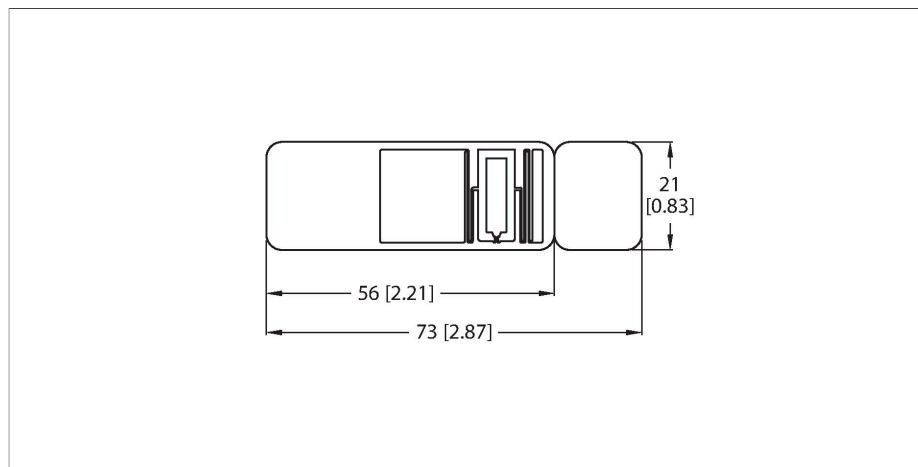


TW860-960-L73-21-P-M-B210-5KPCS

UHF Tag



Features

- EEPROM, memory 332 byte
- TID serial number: 6 byte
- For direct mounting on metal

Functional principle

The UHF read/write heads form an air interface the size of which may vary, depending on the combination of read/write head and tag.

The read/write distances mentioned here only represent standard values measured under laboratory conditions and free from any influences caused by materials. Attainable distances may vary due to component tolerances, mounting conditions, ambient conditions and material qualities, especially when mounted in metal. Testing of the application under real operating conditions is therefore essential, especially with read/write on-the-fly!

Technical data

Type	TW860-960-L73-21-P-M-B210-5KPCS
ID	100002944
Remark to product	Smart-Label, self-adhesive
Data transfer	Alternating electromagnetic field
Technology	UHF RFID
Region (UHF)	Global (860...960 MHz) ETSI (865...868 MHz) FCC (902...928 MHz)
Reading range on metal	5 m (2W ERP)
Memory type	EEPROM
Chip	NXP U-Code 7xm
Memory	332 Byte
Memory	Read/Write
Freely usable memory	256 Byte
EPC memory	56 byte
Number of read operations	unlimited
Number of write operations	10 ⁵
Typical read time	2 ms/Byte
Typical write time	3 ms/Byte
Radio communication and protocol standards	ISO 18000-63 EPCglobal Gen 2
Temperature during read/write access	-40...+85 °C
Temperature outside detection range	-40...+85 °C
Design	Smart Label
Housing length	72 mm
Housing width	21 mm
Protection class	IP40
Packaging unit	1

Mounting instructions/Description

