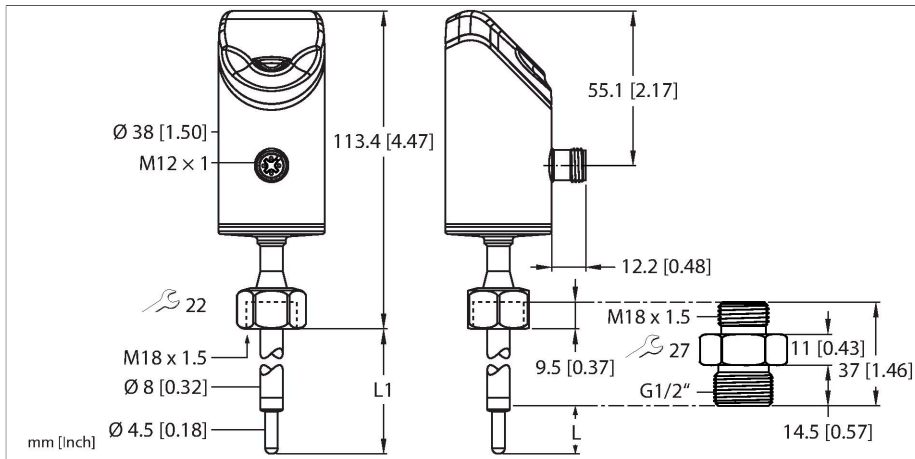


TS700-L050-30-LI2UPN8-H1141

Temperature Detection – With Current or Voltage Output and PNP/NPN Transistor Switching Output



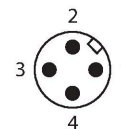
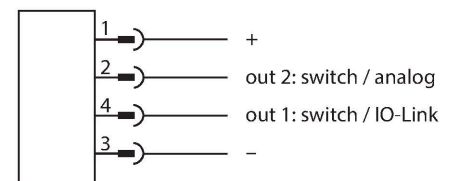
Technical data

Type	TS700-L050-30-LI2UPN8-H1141
ID	100004381
Temperature range	
Measuring range	-50...150 °C
Measuring range	-58...302 °F
Accuracy	0.15 °C + 0.002 • t (-30...300 °C)
Measuring element	Pt-1000 probe, DIN EN 60751, class A
Response time	t0.5 = 3.5 s/t0.9 = 9.5 s in water at 0.2 m/s
Immersion depth (L)	50 mm
Pressure resistance	300 bar
Operating voltage	17...33 VDC
Protective measure	SELV, PELV according to DIN EN 61140
Short-circuit/reverse polarity protection	yes / yes
Insulation class	III
Outputs	
Output 1	Switching output or IO-Link mode
Output 2	Analog or switching output
Switching output	
Communication protocol	IO-Link
Output function	NO/NC programmable, PNP/NPN
Switching point accuracy	± 0.2 K
Rated operational current	0.25 A
Release position	-50...+149.8 °C
Switching point	-49.8...+150 °C
Switching point distance	≥ 0.2 K

Features

- Screw-in adapter with process connection G1/2" male thread included in delivery
- 4-digit, 2-colored, 12-segment display, rotatable by 180°
- Upper part of housing can be rotated up to 340°
- Materials in contact with media: 1.4404 (316L), CR O-ring, AFM34 flat seal
- Immersion length: 50 mm
- 17...33 VDC
- NO/NC contact, PNP/NPN output, analog output (current/voltage), IO-Link
- Various IO-Link mapping profiles can be selected

Wiring diagram



Functional principle

The TS+ product series is a compact processing unit with a 4-digit, 12-segment display that can be freely rotated by 340°. Compact units with (TS700) and without (TS720) temperature sensors as well as different output variants are available.

Technical data

Switching cycles	≥ 100 mil.
Analog output	
Current output	4...20 mA
Alternative current output	0...20 mA
Current output note	Each invertible
Voltage output	0...10 V
Alternative voltage output	0... 5 V
Alternative voltage output	1... 6 V
Alternative voltage output	0.5...4.5 V
Voltage output note	Each invertible
Accuracy (Lin. + Hys. + Rep.)	± 0.3 K
Remark	0.1% of full scale applies to temperatures > 200 °C
Repeatability	0.1 K
IO-Link	
IO-Link specification	V 1.1
Transmission physics	corresponds to 3-wire physics (PHY2)
Frame type	2.2
Transmission rate	COM 2 (38.4 kBaud)
Programming	FDT/DTM/selection of various mapping profiles
Genauigkeit	± 0.1 K
Included in the SIDI GSDML	Yes
Programming	
Programming options	Switching logic (PNP, NPN, Auto*), switching/release point; hysteresis/window mode; NO/NC; unit; IO-Link mapping profile; analog output (U, I, Auto*); 0 (4)... 20 mA, 0...(5) 10 VDC, 1...6 VDC, 0.5... 4.5 VDC; * factory settings
Housing material	Stainless-steel/Plastic, 1.4404 (AISI 316L)/Grilamid TR90 UV
Process connection	G 1/2" male thread
Electrical connection	Connector, M12 × 1
Protection class	IP66 IP67 IP69K
Ambient temperature	-40...+80 °C
Storage temperature	-40...+85 °C
Shock resistance	50 g (11 ms) , DIN EN 60068-2-27
Vibration resistance	20 g (10...3000 Hz), DIN EN 60068-2-6
Tests/approvals	
UL registration number	E516036

Technical data

Reference conditions acc. to IEC 61298-1	
Temperature	15...+25 °C
Atmospheric pressure	860...1060 hPa abs.
Humidity	10...95 % rel.
Auxiliary power	24 VDC
Display	
Display	4-digit, two-colored (green/red), 12-segment display, rotatable by 180°
Switching state	2 × LEDs, Yellow
Unit display	4 x green LED (°C, °F, K, Ohm)
Included in delivery	Screw-in adapter with process connection G 1/2" male thread, 2 × AFM flat seal

Technical data

Type	TS700-L050-30-LI2UPN8-H1141
ID	100004381
Temperature range	
Measuring range	-50...150 °C
Measuring range	-58...302 °F
Accuracy	0.15 °C + 0.002 • t (-30...300 °C)
Measuring element	Pt-1000 probe, DIN EN 60751, class A
Response time	t0.5 = 3.5 s/t0.9 = 9.5 s in water at 0.2 m/s
Immersion depth (L)	50 mm
Operating voltage	17...33 VDC
Voltage drop at I _o	≤ 2 V
Protective measure	SELV, PELV according to DIN EN 61140
Short-circuit/reverse polarity protection	yes / yes
Protection type and class	IP66 IP67 IP69K / III
Outputs	
Output 1	Switching output or IO-Link mode
Output 2	Analog or switching output
Switching output	
Communication protocol	IO-Link
Output function	NO/NC programmable, PNP/NPN
Switching point accuracy	± 0.2 K
Rated operational current	0.25 A
Switching current	≤ 250 mA
Switching point distance	≥ 0.2 K
Switching cycles	≥ 100 mil.
Release position	-50...+149.8 °C

Technical data

Switching point	-49.8...+150 °C
Analog output	
Current output	4...20 mA
Alternative current output	20...0 mA
Current output note	Each invertible
Voltage output	0...10 V
Alternative voltage output	0... 5 V
Alternative voltage output	1... 6 V
Alternative voltage output	0.5...4.5 V
Voltage output note	Each invertible
Accuracy (Lin. + Hys. + Rep.)	± 0.3 K
Remark	0.1% of full scale applies to temperatures > 200 °C
Repeatability	0.1 K
IO-Link	
IO-Link specification	V 1.1
Programming	FDT/DTM/selection of various mapping profiles
Transmission physics	corresponds to 3-wire physics (PHY2)
Transmission rate	COM 2 (38.4 kBaud)
Frame type	2.2
Genauigkeit	± 0.1 K
Included in the SIDI GSDML	Yes
Ambient temperature	-40...+80 °C
Storage temperature	-40...+85 °C
Vibration resistance	20 g (10...3000 Hz), DIN EN 60068-2-6
Shock resistance	50 g (11 ms) , DIN EN 60068-2-27
Housing material	Stainless-steel/Plastic, 1.4404 (AISI 316L)/Grilamid TR90 UV
Process connection	G 1/2" male thread
Pressure resistance	300 bar
Electrical connection	Connector, M12 × 1
Reference conditions acc. to IEC 61298-1	
Temperature	15...+25 °C
Atmospheric pressure	860...1060 hPa abs.
Humidity	10...95 % rel.
Auxiliary power	24 VDC
Display	
Display	4-digit, two-colored (green/red), 12-segment display, rotatable by 180°
Switching state	2 × LEDs, Yellow
Unit display	4 x green LED (°C, °F, K, Ohm)

Technical data

Programming

Programming options	Switching logic (PNP, NPN, Auto*), switching/release point; hysteresis/window mode; NO/NC; unit; IO-Link mapping profile; analog output (U, I, Auto*); 0 (4)... 20 mA, 0...(5) 10 VDC, 1...6 VDC, 0.5... 4.5 VDC; * factory settings
---------------------	--

Tests/approvals

Approvals	cULus
UL registration number	E516036
Included in delivery	Screw-in adapter with process connection G 1/2" male thread, 2 × AFM flat seal

Status LEDs

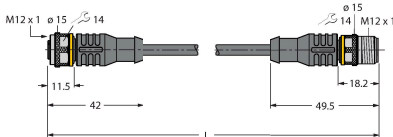
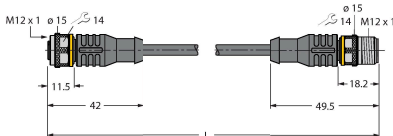
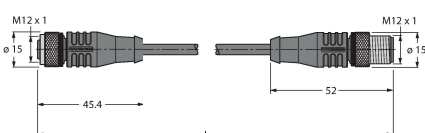
LED	Color	Status	Description
PWR	Green	On	Operating voltage applied Device is operational
		Flashing	Operating voltage applied IO-Link communication active (inverted flash with T on 900 ms and T off 100 ms)
FLT	Red	On	Error displayed (For error pattern in combination with LEDs see manual)
		Off	No errors displayed
°C	Green	On	Temperature in °C
°F	Green	On	Temperature in °F
K	Green	On	Temperature in K
Ω	Green	On	Resistance in Ω
LOC	Yellow	On	Device locked
		Flashing	"Lock/unlock" process is active
		Off	Device unlocked
I and II (switching point of LEDs)	Yellow	On	Switching output -NO: switching point exceeded/within window (active output) -NC: switching point undershot/outside window (active output)
		Off	Switching output -NO: switching point undershot/outside window (inactive output) -NC: switching point exceeded/within window (inactive output)

For detailed description of the display patterns and flashing codes, see manual

IO-Link process data image

Bit	15	14	13	12	11	10	9	8	7	6	5	4	3	2	1	0	
Byte n	14 Bit Process Value (TEMP)															State Out 2	State Out 1

Accessories

Dimension drawing	Type	ID	
	RKC4.4T-2-RSC4.4T/TEL	6625208	Connection cable, M12 female plug, straight, 4-pin, cable length: 2 m, sheath material: PVC, black; cULus approval; other cable lengths and qualities available, see www.turck.com
	RKC4.4T-2-RSC4.4T/TXL	6625608	Extension cable, M12 female connector, straight, 4-pin to M12 male connector, straight, 4-pin; cable length: 2 m, jacket material: PUR, black; cULus approval; other cable lengths and versions available, see www.turck.com
	HT-WAK4-2-HT-WAS4/S2430	8038668	High-temperature-resistant extension cable, M12 female, straight, 4-pin to M12 male, straight, 4-pin; cable length: 2 m, jacket material: PTFE, white; other cable lengths and qualities available, see www.turck.com

Dimension drawing	Type	ID	
	RKH4.4-2-RSH4.4/TFG	6933472	

Food and Beverage extension cable, M12 female, straight, 4-pin to M12 male, straight, 4-pin; cable length: 2 m, jacket material: TPE, gray; approval: Ecolab, FDA; other cable lengths and qualities available, see www.turck.com

