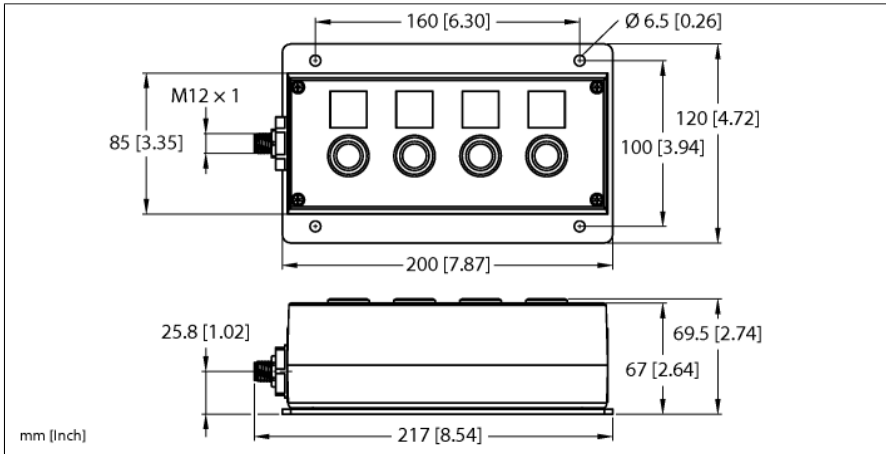


Ford Process Inspection Box for Connection to IO-Link Master

4 Buttons with Lamp

OPIL-E4-IO3-FE03



- Rugged housing
- Label language: Romanian
- 4 × illuminated push button, white light-up ring

| | |
|------|------------------|
| Type | OPIL-E4-IO3-FE03 |
| ID | 100036507 |

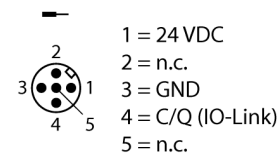
| | |
|---------------------------|-------------|
| Supply | |
| Supply voltage | 24 VDC |
| Admissible range | 18...30 VDC |
| Voltage supply connection | M12 |
| Operating current | Max. 150 mA |

| | |
|-----------------------|-------------------|
| IO-Link | |
| Connectivity IO-Link | 1 × M12 |
| IO-Link specification | V 1.1 |
| IO-Link port type | Class A |
| Frame type | Supports all |
| Transmission rate | COM 2 / 38.4 kbps |

| | |
|-------------------------------|-------------------------|
| Standard/Directive conformity | |
| Electromagnetic compatibility | Acc. to EN 61131-2:2007 |

| | |
|---------------------|--------------|
| General Information | |
| Ambient temperature | -40...+70 °C |
| Storage temperature | -40...+85 °C |
| Protection class | IP54 |

M12 × 1 IO-Link



I/O allocation to FIL20-8DXP

| | | | |
|--|--|-------------------------|---------------------|
| | | | Process data |
| PROZESS KONTROLLE CONTROL DE PROCESOS PROCESS INSPECTION | | Output I/O ₇ | Byte.bit offset 0.7 |
| | | Input I/O ₆ | Byte.bit offset 0.6 |
| PROZESS WIEDERHOLEN REPETIR PROCESO PROCESS REPEAT | | Output I/O ₅ | Byte.bit offset 0.5 |
| | | Input I/O ₄ | Byte.bit offset 0.4 |
| PROZESS OK PROCESO OK PROCESS OK | | Output I/O ₃ | Byte.bit offset 0.3 |
| | | Input I/O ₂ | Byte.bit offset 0.2 |
| PROZESS NOK PROCESO NOK PROCESS NOK | | Output I/O ₁ | Byte.bit offset 0.1 |
| | | Input I/O ₀ | Byte.bit offset 0.0 |