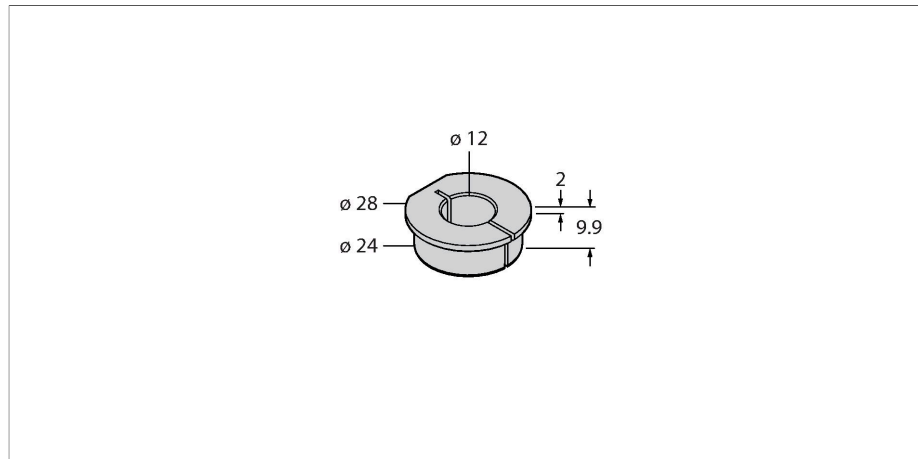


# RA3-EQR24

## Accessories – Adapter Sleeve

### For Encoders RI-QR24



#### Features

- Adapter sleeve 12 mm
- Stainless steel: 1.4404 V4A

#### Technical data

<b>Type</b>	RA3-EQR24
<b>Ident. no.</b>	1593020
<b>Housing material</b>	Stainless steel, V4A 1.4404 (AISI 316L)