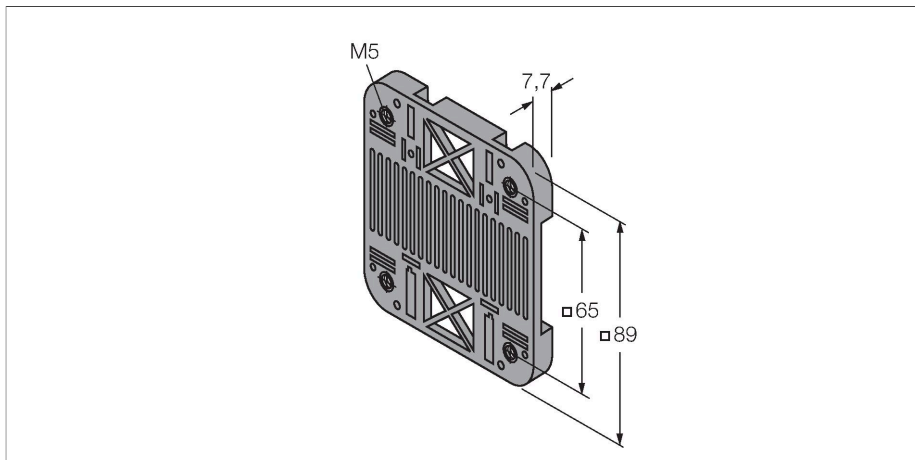


# SMBDX80DIN

## Accessories – Mounting Bracket



### Features

- Panel for DIN rail mounting
- Suited for use with CP80, DX80, K80, Q80
- Operating temperature: -20 ... +90 °C

### Technical data

Type	SMBDX80DIN
ID	3077161
Design	Accessories for rectangular sensor, SMBDX80DIN
Dimensions	89 x 89 x 7.7 mm
Housing material	Plastic, ABS

### Accessories

CP80	Q80
Rectangular, plastic	Rectangular, plastic
QF80	
Rectangular, plastic	