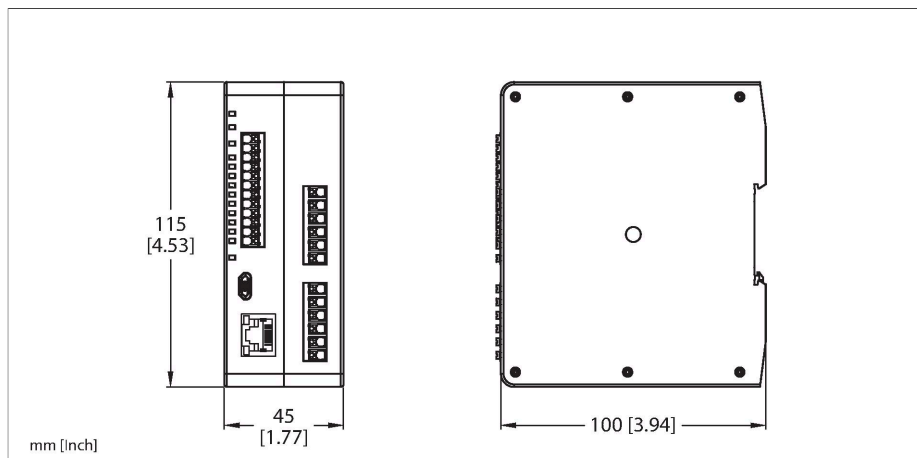


# SC10-2ROE

## Safety Technology – Programmable Safety Controller



### Technical data

Type	SC10-2ROE
ID	3806222
Function	Controller
Operating voltage	20...28 VDC
No-load current	≤ 240 mA
Max. current safe output	6000 mA
Communication protocol	EtherNet/IP Modbus TCP PCCP PROFINET
Output function	2 normally open contact, Potential-free
Current output	6000 mA
Number of safe semiconductor outputs	2
Response time typical	< 10 ms
Design	Rectangular, SC26
Dimensions	100 x 45 x 115 mm
Housing material	Plastic, Yellow
Electrical connection	Removable terminal block, reverse polarity protected, screw connection
Ambient temperature	0...+55 °C
Relative humidity	0...90 %
Protection class	IP20
Power-on indication	LED, Green
Switching state	LED, Red/Green
<b>Tests/approvals</b>	
Approvals	CE, cULus listed

### Features

- Safety category 4, PLe acc. to ISO 13849-1
- SIL 3 acc. to IEC 61508 and IEC 62061
- Adjustment via software
- 10 inputs, of which 4 can be reconfigured as outputs
- Two independent safety relay outputs
- Intuitive programming interface
- Ethernet connection, up to 256 virtual status outputs can be achieved
- Operating voltage 24 VDC +20%
- Protection class IP20
- Freeware (included in delivery)

### Functional principle

The safety controller can have multiple safety relay modules for the use of emergency stop switches, door-lock switches, safety light screens, two-hand controls, safety mats and other protective devices.

The safety controller can be configured with the software and automatically generates a wiring diagram and a ladder diagram logic. For the transfer of software created configuration you can either connect a serial USB-cable or an XM-memory card to the the Micro USB port of the controller.

## Accessories

Dimension drawing	Type	ID	
Kein Maßbild vorhanden/ No dimension drawing available	SC-TC2	3085078	Terminal block with cage clamps; 8 ports
Kein Maßbild vorhanden/ No dimension drawing available	SC-TS2	3085076	Terminal block with cage clamps; 8 ports
Kein Maßbild vorhanden/ No dimension drawing available	SC-XMP2	3029482	Programming adapter

## Accessories

Dimension drawing	Type	ID	
	SC-USB2	3029480	Serial USB cable, type A to Micro-B; length: 1.8m

Kein Maßbild vorhanden/  
No dimension drawing available

	SC-XM2	3029481	External memory card, Micro-B; EEPROM configuration
--	--------	---------	---

Kein Maßbild vorhanden/  
No dimension drawing available

	CD ROM XS26-2 SAFETY CONTROLLER CONFIGUR	3090443	CD-ROM, configuration software, operating instructions;
--	--	---------	---