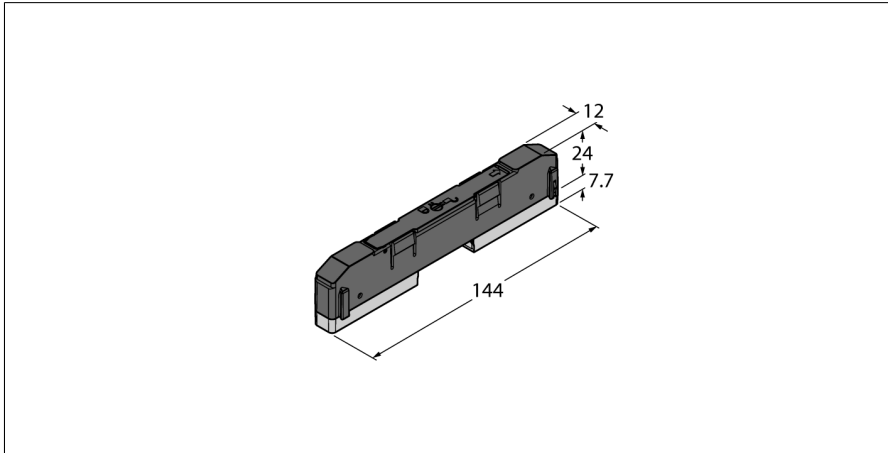


Adapter for mounting groups of TBEN-S modules on a DIN rail TBNN-S0-DRS-01



| | |
|----------------------------|-----------------------|
| Type | TBNN-S0-DRS-01 |
| ID | 6814040 |
| General Information | |
| Ambient temperature | -40...+70 °C |
| Protection class | IP65 IP67 IP69K |
| Housing material | PA6-GF30 |
| Housing color | Black |
| Halogen-free | yes |

- 1 piece
- Grounding of the modules on the DIN rail
- Easy arrangement of TBEN-S modules
- Creation of compact TBEN-S module groups
- Straightforward installation
- Simple compliance with the installation dimensions