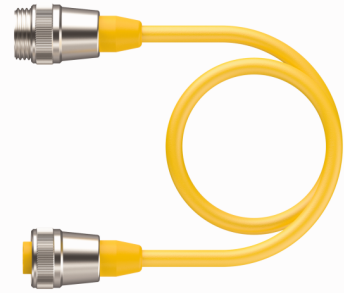
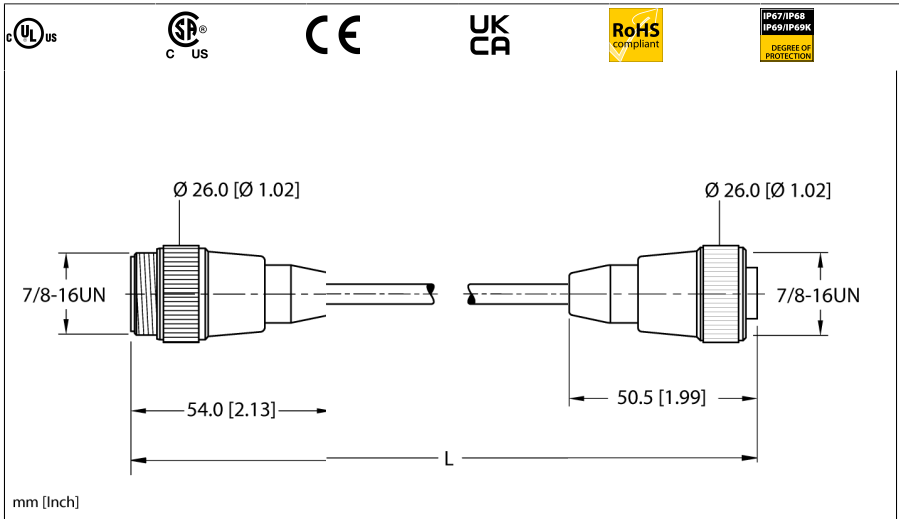


Power Cable Extension Cable RSM RKM 40-2M

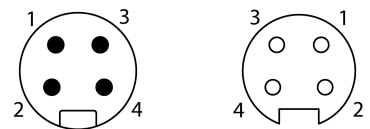


- 7/8" male connector, straight, 4-pin
- 7/8" minifast female connector, straight
- Instrumentation Tray Cable
- PVC jacket, yellow, 4 × 18 AWG
- UV resistant
- -40 °C cold bending strength
- Oil resistant
- Fire classes: UL 1685 FT4, UL1061, CSA FT4
- Flexlife and C-Track approved

Type	RSM RKM 40-2M
ID	U2280-0
Connector A	Male, 7/8"-16 UN, Straight
Number of Pins	4
Contact carriers	Plastic, TPU, Yellow
Connector body	Plastic, TPU, Yellow
Coupling nut/screw	Brass, CuZn, Nickel-plated
Mechanical lifespan	> 100 Mating cycles
Pollution degree	3
Protection class	IP67, IP68, IP69, IP69K
	NEMA: 1, 3, 4, 6P, 12

Connector B	Female, 7/8"-16 UN, Straight
Number of pins	4 pins
Contact carriers	Plastic, TPU, Yellow
Connector body	Plastic, TPU, Yellow
Coupling nut/retaining screw	Brass, CuZn, Nickel-plated
Tightening torque	2 Nm
Protection class	IP67, IP68, IP69, IP69K
	NEMA: 1, 3, 4, 6P, 12

Cable	
Cable ID	RF50548
Number of cores	4
Cable diameter	Ø 6.73mm
Cable length	2 m, (+ 50 mm or 4 % of the length/-0.0, depending on which value is larger) m
Cable jacket	PVC, Yellow
Conductor diameter	0.076 "
Conductor material	TC (tinned copper)
Core insulation	PVC
Core cross-section	4 x 18 AWG [Similar to 0.75 mm ²]
Arrangement of strands	19 x 0.0092"
Core colors	BN, WH, BU, BK



Circuit Diagram



Electrical properties at +20 °C	
Rated voltage	600V
Current	9AA

Mechanical and chemical properties	
Bending radius (stationary installation)	≥ 5 x Ø
Bending radius (flexible use)	≥ 10 x Ø
Cold flexural strength	-40 °C
Bending cycles 20 x Ø	10 million *
When correctly installed at 20 °C, 50 % RH and a cycle speed of ≤ 0.5 cycles per second.	
C-track	Yes
Ambient temperature range (stationary)	-40...+105°C
Ambient temperature range (In motion)	5...+105°C
Ambient temperature during installation	-10...+105 °C

Approval

Note	
	Using the cable in extreme temperatures, when it is exposed to certain chemicals and above the nominal cycle speed or below the nominal bending radius of the cable can reduce the flexural strength.
	- We reserve the right to make technical modifications without prior notice.